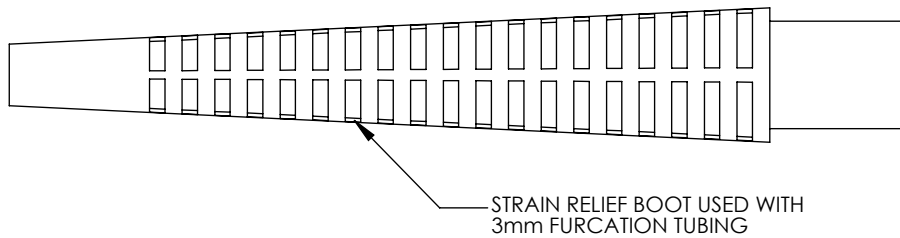
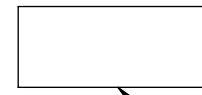


ISOMETRIC VIEW
SCALE 1:1

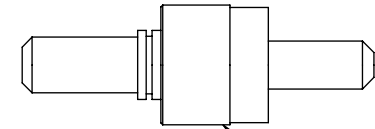
EXPLODED VIEW



STRAIN RELIEF BOOT USED WITH
3mm FURCATION TUBING

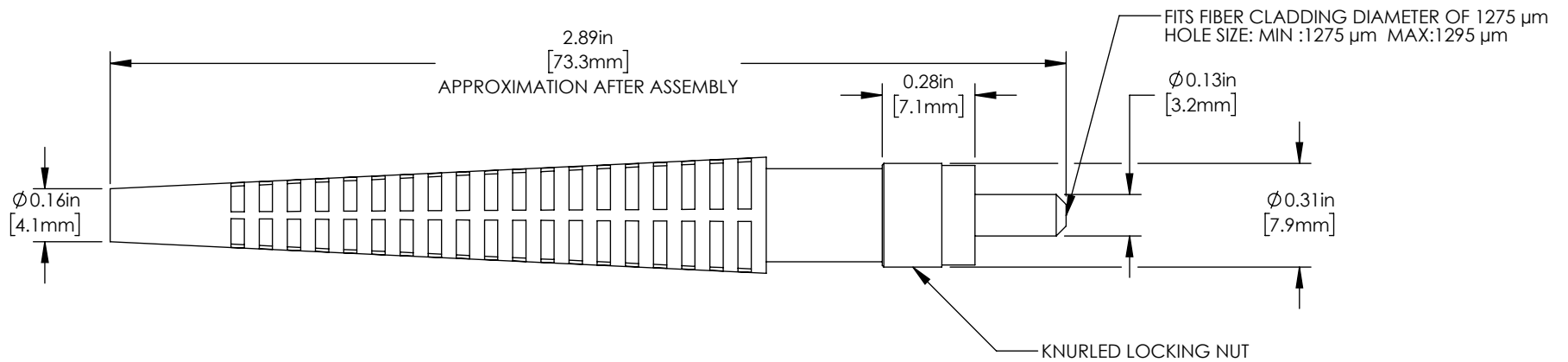


CRIMP SLEEVE



SMA CONNECTOR

ASSEMBLED VIEW



FOR INFORMATION ONLY
NOT FOR MANUFACTURING PURPOSES

DRAWING PROJECTION			THORLABS www.thorlabs.com	
NAME	DATE	1275µm SMA CONNECTOR		
DRAWN KH	06/JUL/11	MATERIAL	REV A	
APPROVAL KAH	28/MAR/13	N/A		
COPYRIGHT © 2013 BY THORLABS		ITEM #	APPROX WEIGHT	
VALUES IN PARENTHESIS ARE CALCULATED AND MAY CONTAIN ROUND OFF ERRORS		11275A	0.01kg	