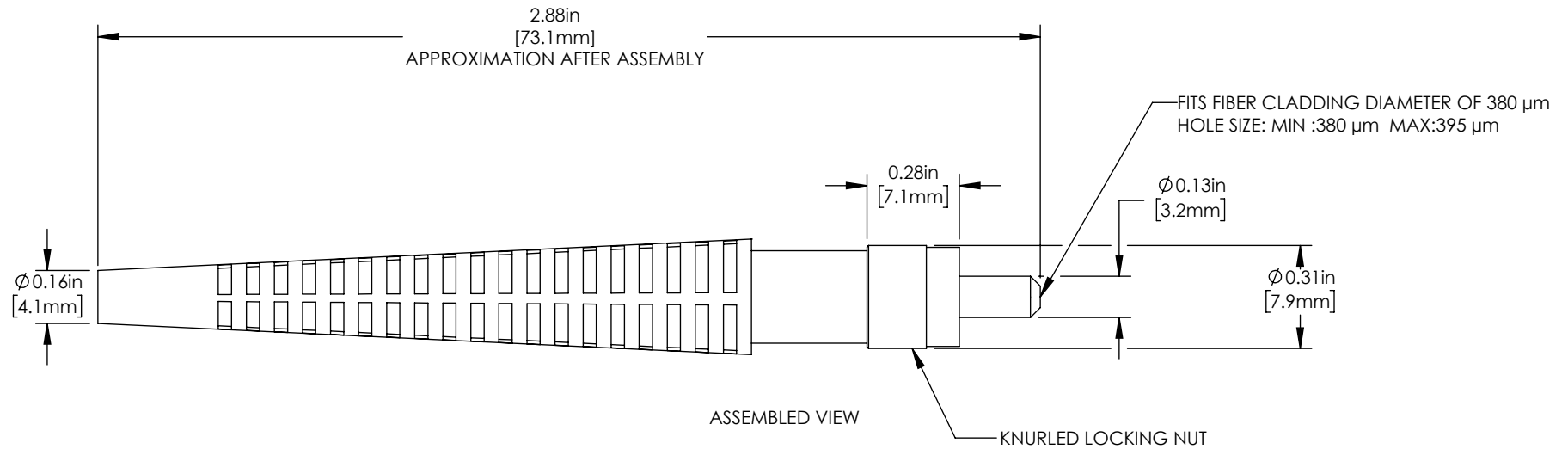
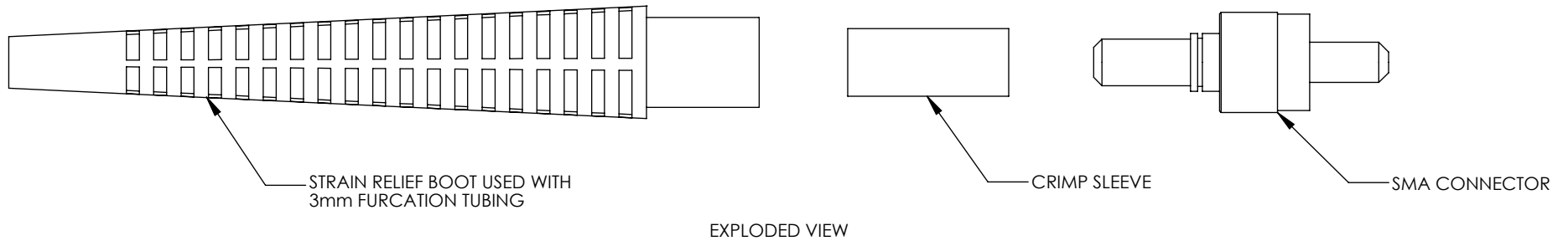


ISOMETRIC VIEW
SCALE 1:1



FOR INFORMATION ONLY
NOT FOR MANUFACTURING PURPOSES

DRAWING PROJECTION			 www.thorlabs.com	
	NAME	DATE		
DRAWN	IR	14/MAR/18	380um SMA CONNECTOR	
APPROVAL	CL	19/MAR/18	MATERIAL	REV A
COPYRIGHT © 2018 BY THORLABS			N/A	
VALUES IN PARENTHESIS ARE CALCULATED AND MAY CONTAIN ROUND OFF ERRORS			ITEM #	APPROX WEIGHT
			10380A	0.01kg