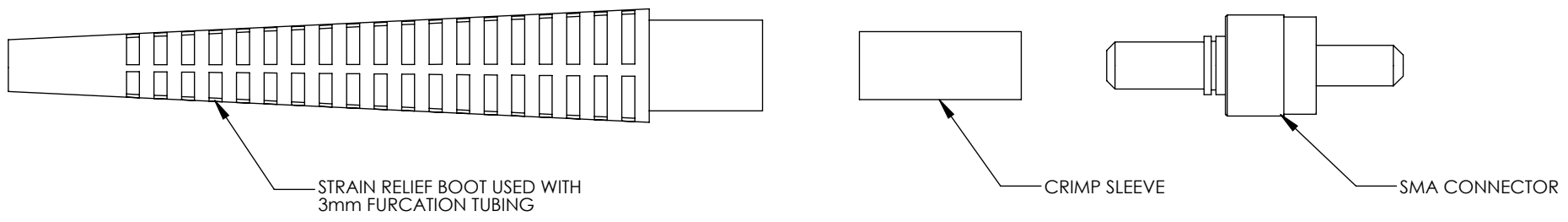
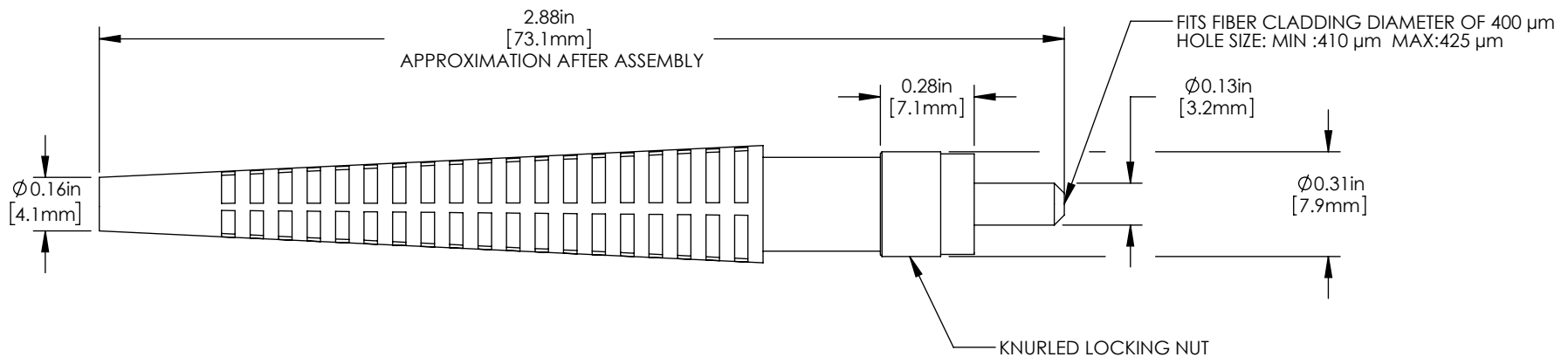


ISOMETRIC VIEW  
SCALE 1:1

EXPLODED VIEW



ASSEMBLED VIEW



FOR INFORMATION ONLY  
NOT FOR MANUFACTURING PURPOSES

DRAWING PROJECTION			 <a href="http://www.thorlabs.com">www.thorlabs.com</a>	
	NAME	DATE		
DRAWN	KH	27/JUL/11	410µm SMA CONNECTOR	
APPROVAL	KB	27/JUL/11	MATERIAL	REV A
COPYRIGHT © 2010 BY THORLABS			N/A	A
VALUES IN PARENTHESIS ARE CALCULATED AND MAY CONTAIN ROUND OFF ERRORS			ITEM #	APPROX WEIGHT
			10410A	0.01kg