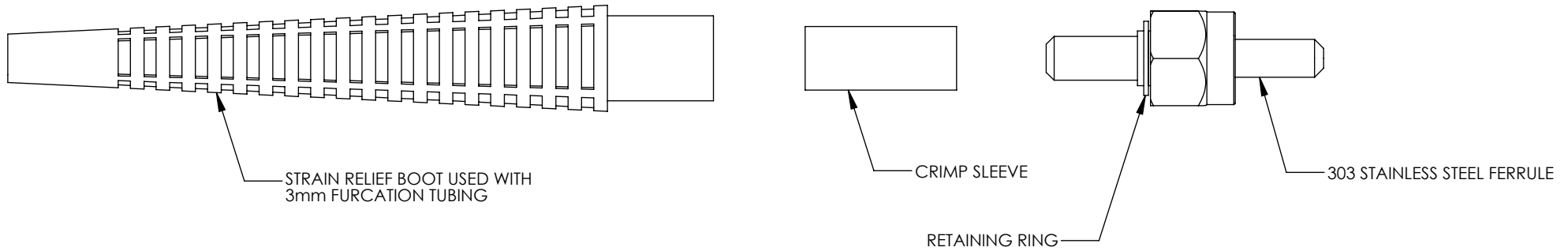
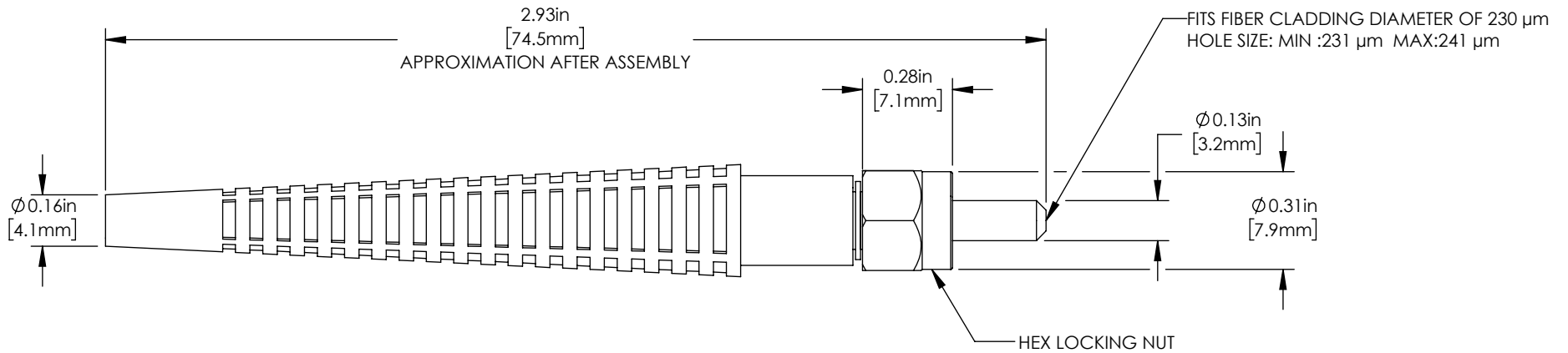


EXPLODED VIEW



ASSEMBLED VIEW



NOTE: INCLUDED BUT NOT SHOWN  
PROTECTIVE DUST CAP

FOR INFORMATION ONLY  
NOT FOR MANUFACTURING PURPOSES

DRAWING PROJECTION



	NAME	DATE
DRAWN	CRL	22/NOV/19
APPROVAL	CL	25/NOV/19

COPYRIGHT © 2019 BY THORLABS

VALUES IN PARENTHESIS ARE CALCULATED  
AND MAY CONTAIN ROUND OFF ERRORS

**THORLABS**  
www.thorlabs.com

230 $\mu$ m HEX NUT SMA CONNECTOR		
MATERIAL	N/A	REV A
ITEM #	10230H	APPROX WEIGHT 0.01kg