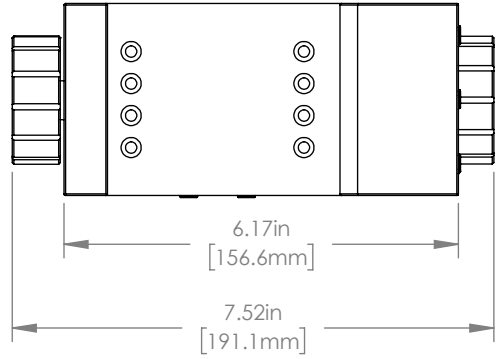
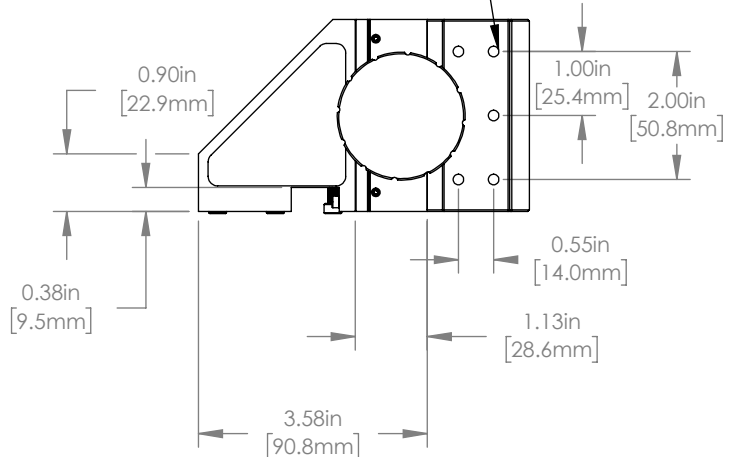


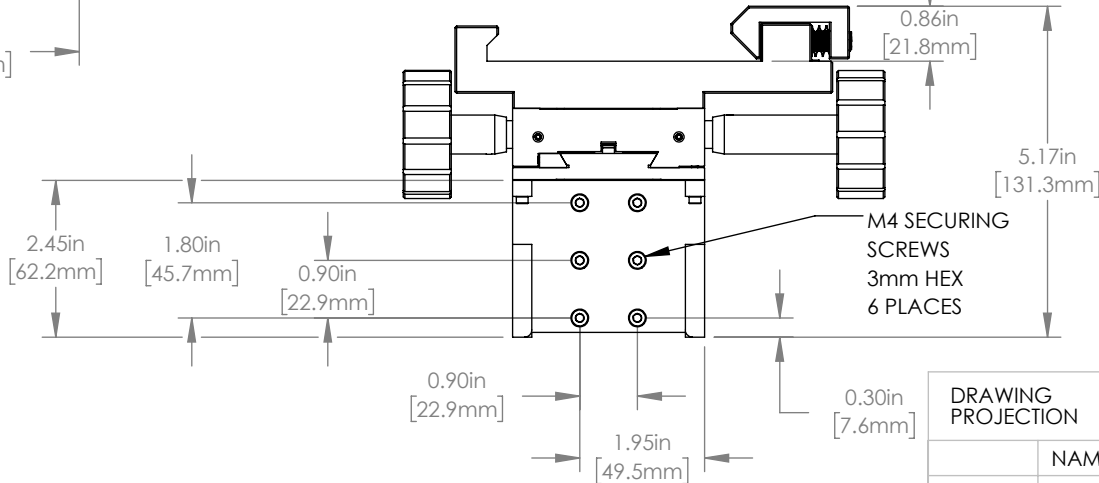
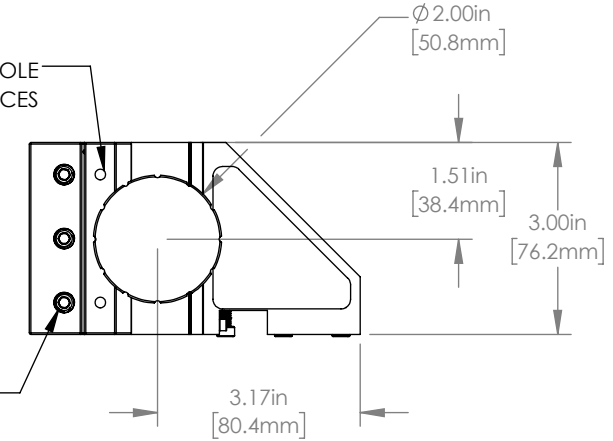
M5 x 0.8 TAPPED HOLE  
6 PLACES

USED WITH 95mm RAIL



M5 x 0.8 TAPPED HOLE  
3 PLACES

M8 SETSCREW  
4mm HEX  
3 PLACES



M4 SECURING  
SCREWS  
3mm HEX  
6 PLACES

FOR INFORMATION ONLY  
NOT FOR MANUFACTURING PURPOSES

DRAWING PROJECTION		
NAME	SRP	DATE
DRAWN	PC	01/NOV/16
APPROVAL	PC	02/NOV/16
COPYRIGHT © 2016 BY THORLABS		
VALUES IN PARENTHESIS ARE CALCULATED AND MAY CONTAIN ROUND OFF ERRORS		

<b>THORLABS</b> www.thorlabs.com	
<b>MANUAL CONDENSER FOCUS MODULE</b>	
MATERIAL	REV
N/A	A
ITEM #	APPROX WEIGHT
ZFM1020	1.7 KG