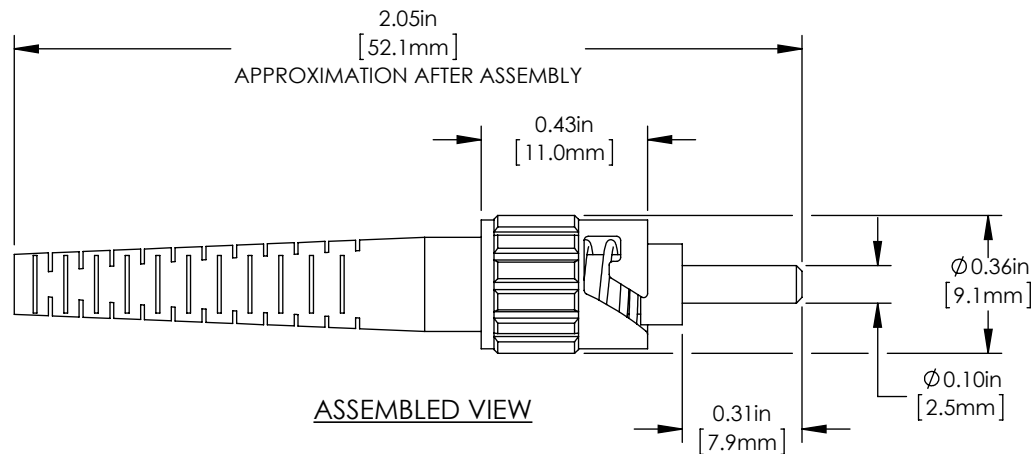
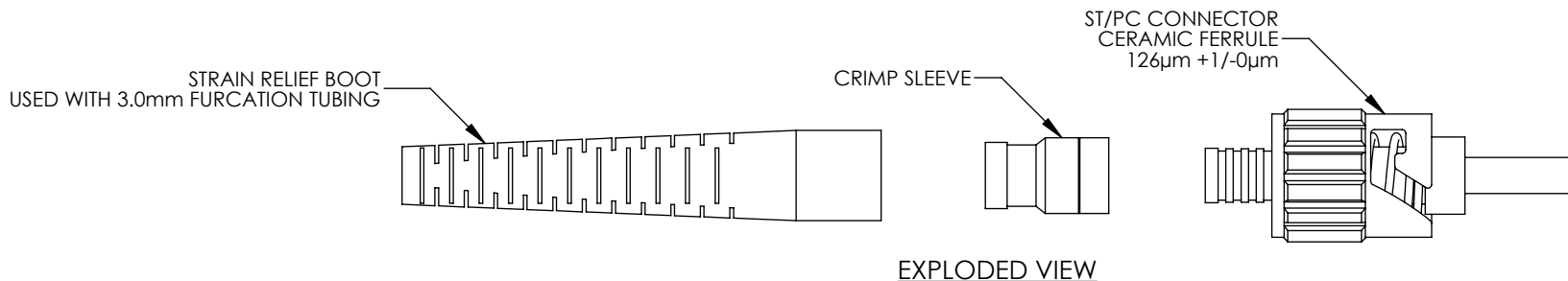


ISOMETRIC VIEW
SCALE 1:1



FOR USE WITH SINGLE MODE FIBER ONLY
INCLUDED BUT NOT SHOWN

- PROTECTIVE DUST CAP

FOR INFORMATION ONLY
NOT FOR MANUFACTURING PURPOSES

DRAWING PROJECTION				THORLABS www.thorlabs.com SINGLE MODE ST/PC CONNECTOR 126µm	
NAME	DATE				
DRAWN	CAL	25/APR/14			MATERIAL
APPROVAL	CB	31/DEC/14			
COPYRIGHT © 2014 BY THORLABS					
VALUES IN PARENTHESIS ARE CALCULATED AND MAY CONTAIN ROUND OFF ERRORS				ITEM #	APPROX WEIGHT
				30126B1	4 g
					REV C