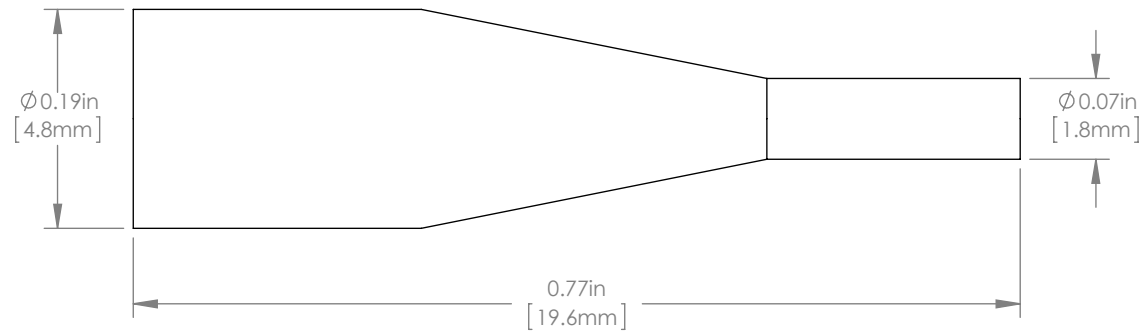
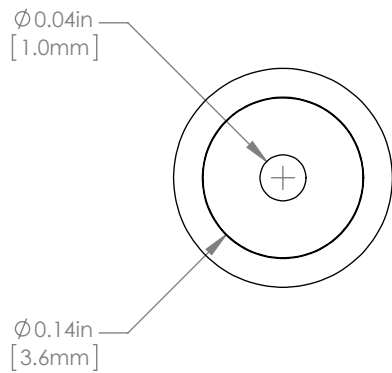


ISOMETRIC VIEW
SCALE 4:1



FOR INFORMATION ONLY
NOT FOR MANUFACTURING PURPOSES

DRAWING PROJECTION			THORLABS www.thorlabs.com	
	NAME	DATE	900 μm STRAIN RELIEF BOOT, 25 PACK	
DRAWN	KBC	24/FEB/12	MATERIAL	
APPROVAL	KAH	29/FEB/12	RUBBER	REV A
COPYRIGHT © 2012 BY THORLABS VALUES IN PARENTHESIS ARE CALCULATED AND MAY CONTAIN ROUND OFF ERRORS			ITEM #	APPROX WEIGHT
			190044P	4.5g