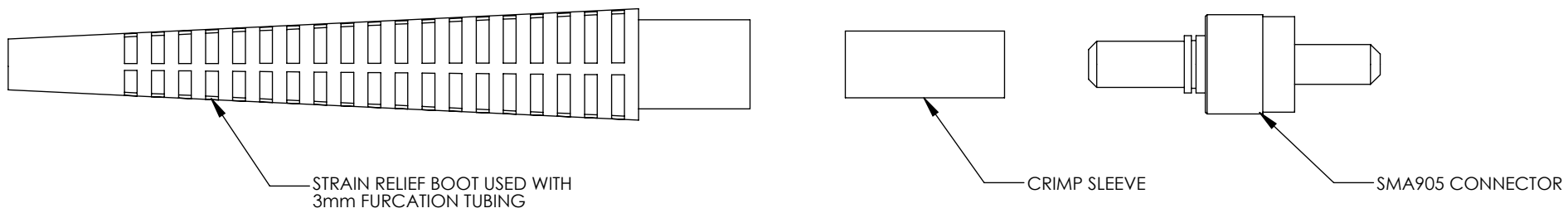
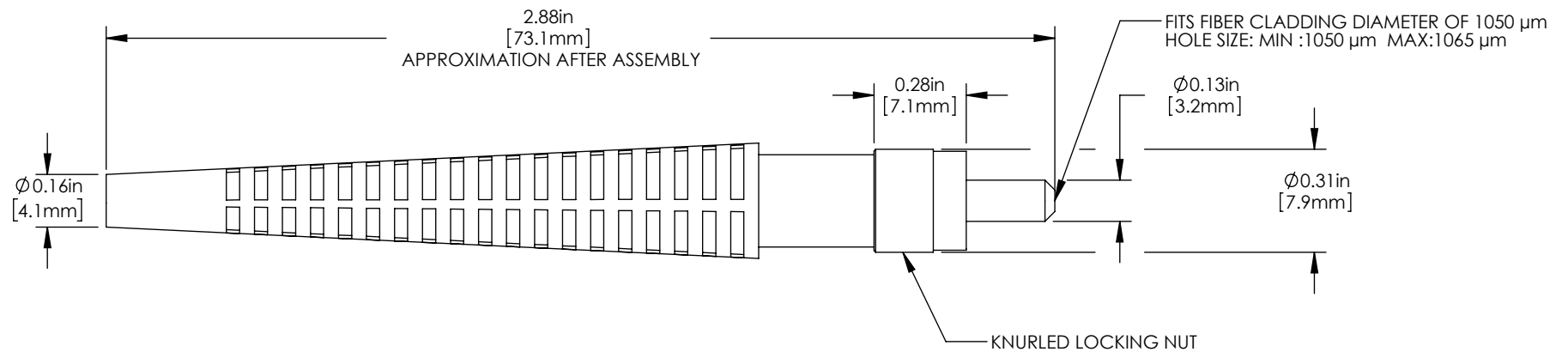


ISOMETRIC VIEW
SCALE 1:1

EXPLODED VIEW



ASSEMBLED VIEW



INCLUDED BUT NOT SHOWN:
• PROTECTIVE DUST CAP

FOR INFORMATION ONLY
NOT FOR MANUFACTURING PURPOSES

| | | | | |
|---|------|--------------------------------------|-------------------------------------|--|
| DRAWING PROJECTION | | | THORLABS www.thorlabs.com | |
| NAME | DATE | 11050 μm SMA905 CONNECTOR | | |
| DRAWN | KH | 27/JUL/11 | MATERIAL | |
| APPROVAL | BG | 19/JAN/15 | REV B | |
| COPYRIGHT © 2010 BY THORLABS | | | N/A | |
| VALUES IN PARENTHESIS ARE CALCULATED AND MAY CONTAIN ROUND OFF ERRORS | | ITEM # | APPROX WEIGHT | |
| | | 11050A | 0.01kg | |