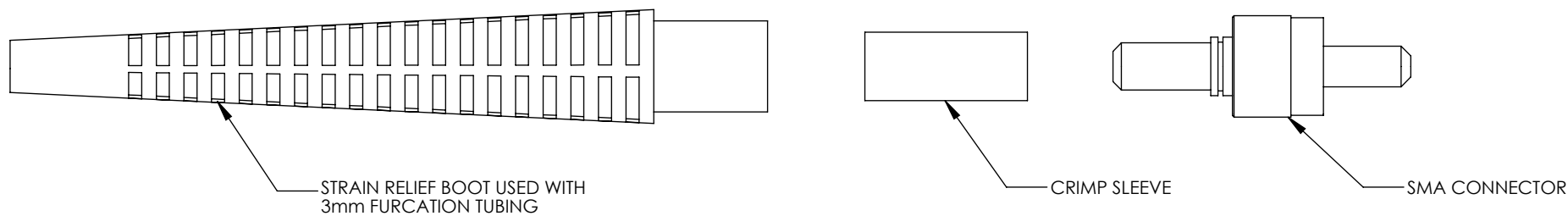
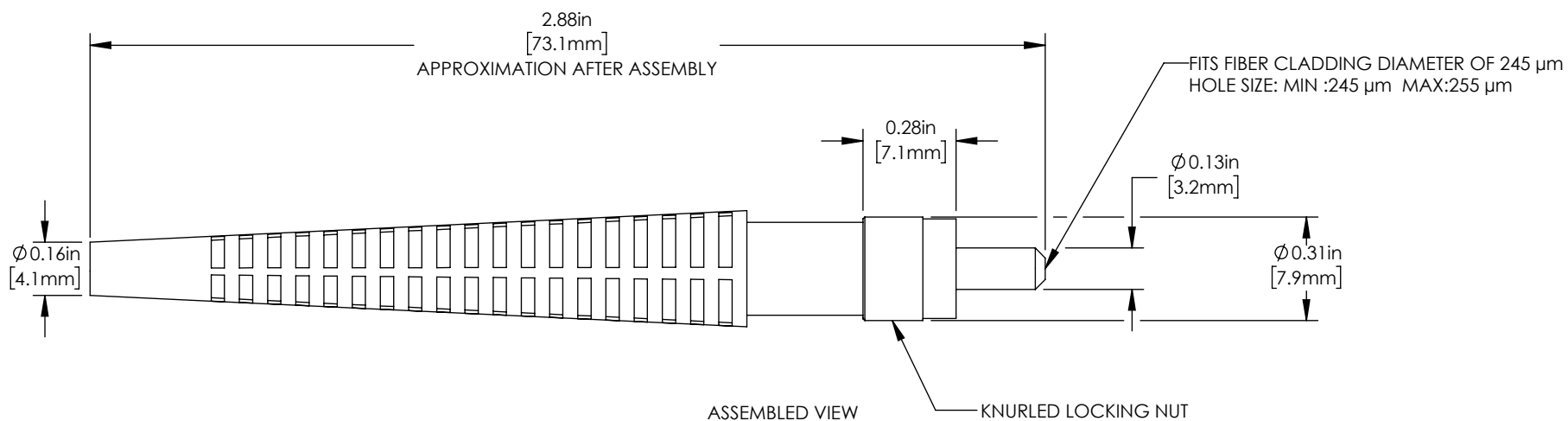


ISOMETRIC VIEW  
SCALE 1:1



EXPLODED VIEW



ASSEMBLED VIEW

FOR INFORMATION ONLY  
NOT FOR MANUFACTURING PURPOSES

DRAWING PROJECTION			<b>THORLABS</b> www.thorlabs.com	
NAME	DATE	245um SMA CONNECTOR		
DRAWN IR	14/MAR/18	MATERIAL	REV A	
APPROVAL CL	19/MAR/18	N/A	A	
COPYRIGHT © 2018 BY THORLABS				
VALUES IN PARENTHESIS ARE CALCULATED AND MAY CONTAIN ROUND OFF ERRORS		ITEM #	APPROX WEIGHT	
		10245A	0.01kg	