



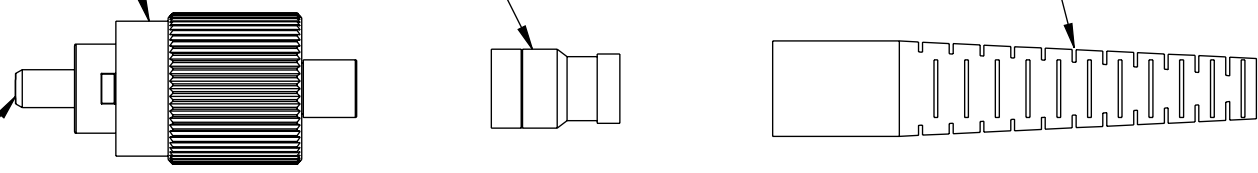
ISOMETRIC VIEW  
SCALE 2:3

FC/PC CONNECTOR W/ KNURLED LOCKING NUT  
SPRING LOADED STAINLESS STEEL FERRULE  
2.0mm NARROW KEY

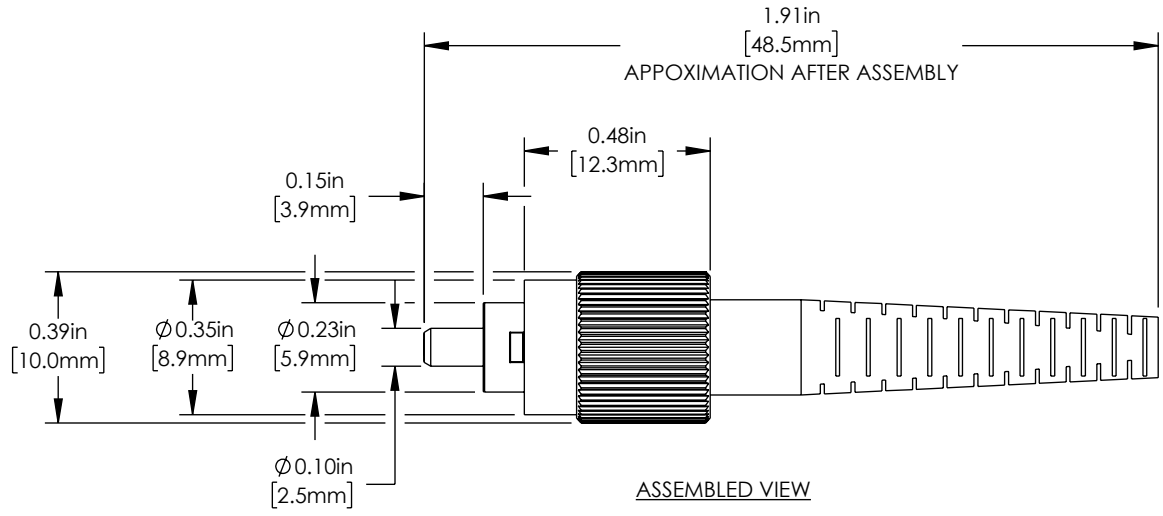
CRIMP SLEEVE

STRAIN RELIEF BOOT  
USED WITH 3.0mm FURCATION TUBING

FERRULE BORE DIAMETER:  
 $\varnothing 145\mu\text{m} +5/-0 \mu\text{m}$



EXPLODED VIEW



ASSEMBLED VIEW

INCLUDED BUT NOT SHOWN  
• PROTECTIVE DUST CAP

FOR INFORMATION ONLY  
NOT FOR MANUFACTURING PURPOSES

DRAWING PROJECTION			<b>THORLABS</b> www.thorlabs.com	
NAME	DATE	MULTIMODE FC/PC CONNECTOR, $\varnothing 145 \mu\text{m}$ , 3.0 mm BOOT		
DRAWN	IR	16/MAR/18	MATERIAL	REV B
APPROVAL	HC	07/JUN/23	N/A	
COPYRIGHT © 2023 BY THORLABS				
VALUES IN PARENTHESIS ARE CALCULATED AND MAY CONTAIN ROUND OFF ERRORS		ITEM #	APPROX WEIGHT	
		30145G3	0.05 kg	