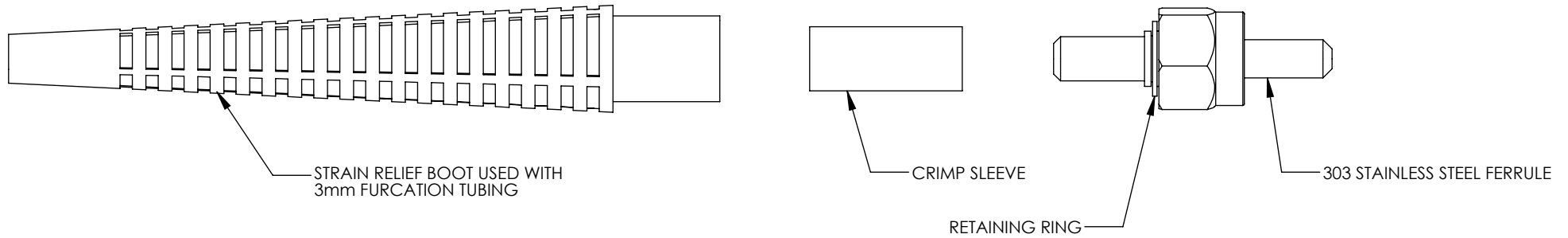
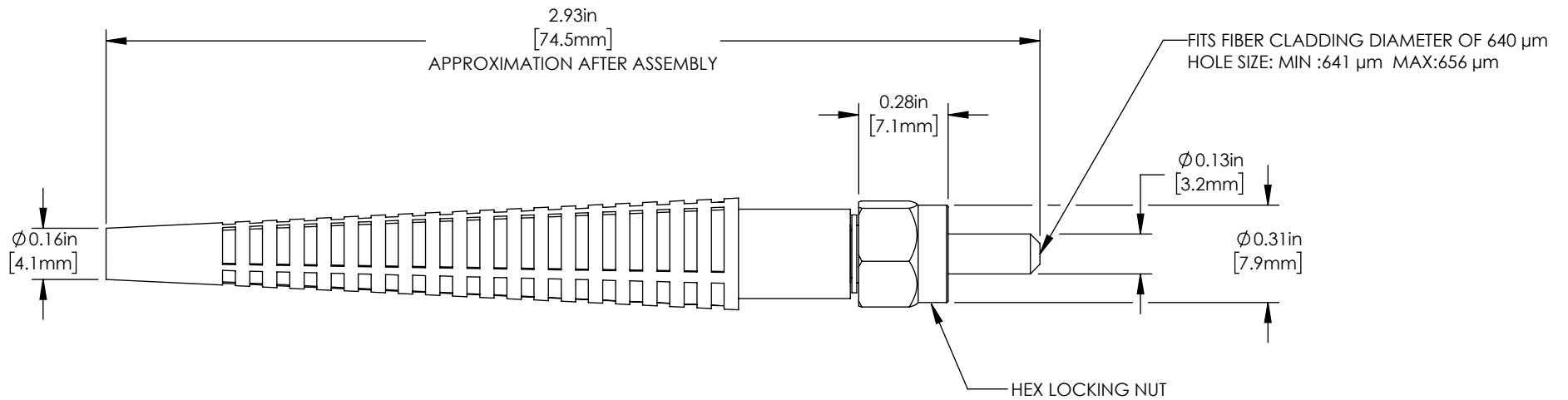


ISOMETRIC VIEW
SCALE 1:1

EXPLODED VIEW



ASSEMBLED VIEW



NOTE: INCLUDED BUT NOT SHOWN
PROTECTIVE DUST CAP

FOR INFORMATION ONLY
NOT FOR MANUFACTURING PURPOSES

DRAWING PROJECTION

	NAME	DATE
DRAWN	CRL	22/NOV/19
APPROVAL	CL	25/NOV/19

COPYRIGHT © 2019 BY THORLABS

VALUES IN PARENTHESIS ARE CALCULATED AND MAY CONTAIN ROUND OFF ERRORS

THORLABS
www.thorlabs.com

640μm HEX NUT SMA CONNECTOR

MATERIAL	REV
N/A	A

ITEM #	APPROX WEIGHT
10640H	0.01kg