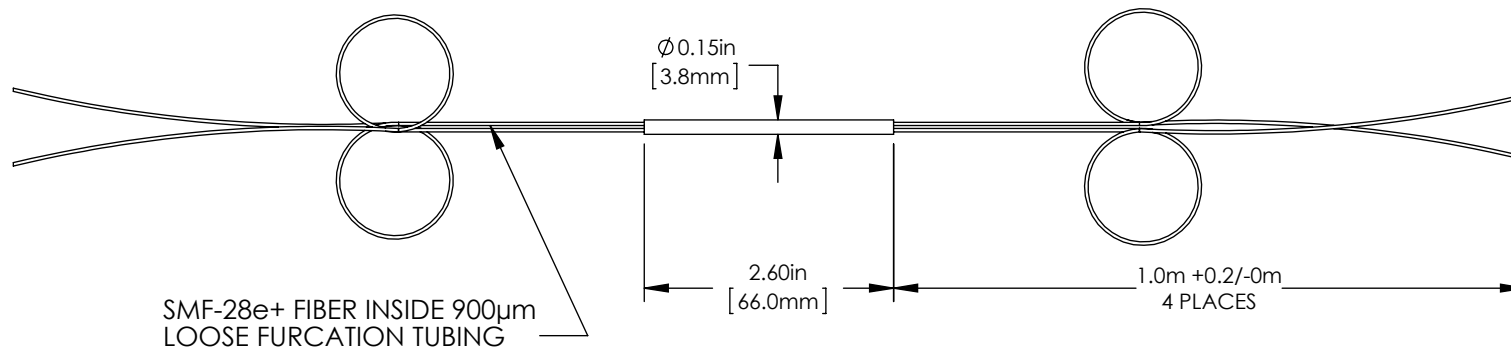


ISOMETRIC VIEW
SCALE 1:4



SMF-28e+ FIBER INSIDE 900 μm
LOOSE FURCATION TUBING

COUPLING SPECIFICATIONS

CENTER WAVE LENGTH	1310/1550 nm
OPERATING BAND WIDTH	± 40 nm
COUPLING RATIO	90:10
INSERTION LOSS	12.7/0.8 dB
TYPICAL EXCESS LOSS	0.2 dB
PDL	<0.15 dB
DIRECTIVITY	>60 dB
OPERATING TEMPERATURE °C	-40 TO 85 °C

FOR INFORMATION ONLY
NOT FOR MANUFACTURING PURPOSES

DRAWING PROJECTION

	NAME	DATE
DRAWN	TDG	24/OCT/11
APPROVAL	KH	9/NOV/11

COPYRIGHT © 2013 BY THORLABS
VALUES IN PARENTHESIS ARE CALCULATED AND MAY CONTAIN ROUND OFF ERRORS

THORLABS
www.thorlabs.com

2X2, 1310/1550nm SM COUPLER 90:10	
MATERIAL	N/A
ITEM #	10202A-90
APPROX WEIGHT	0.09 kg

REV B